

### KS-723

#### MEASURING STATION FOR WHEELSET DIMENSIONAL CHECKING

Company AMEST has developed a new solution for automatic control of wheelsets dimensions by using of the dynamic measuring heads conception placed on measuring support. Part of the station is also implemented etalon.

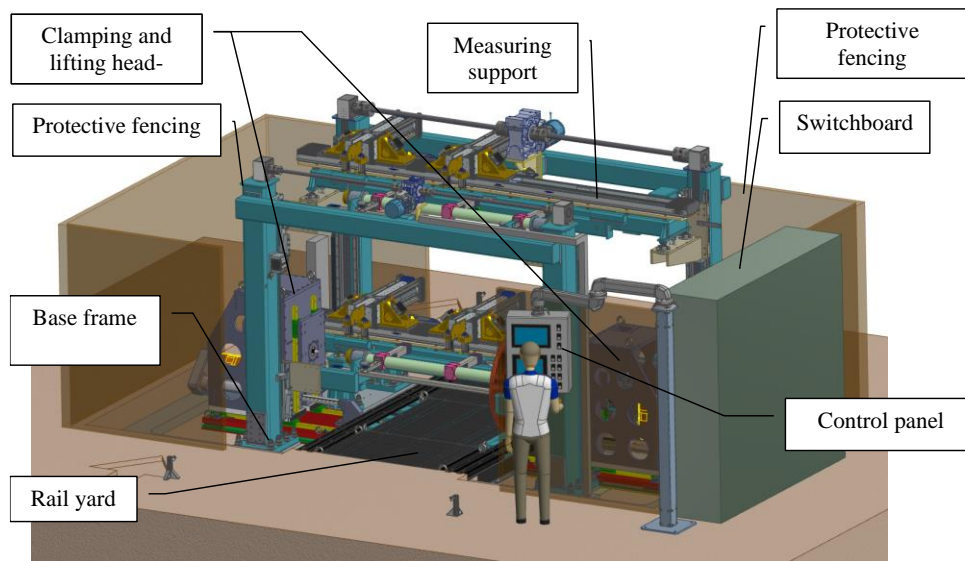


Weight of the device:	17,000 kg
Weight of the base grid:	4000 kg
Overall dimensions:	Width 3,200 mm (3,500 mm), Length 5,700 mm, Height 2,700 mm
Basic dimensions of the station:	l x w x h - 2,400 x 600(800) x 2,200mm

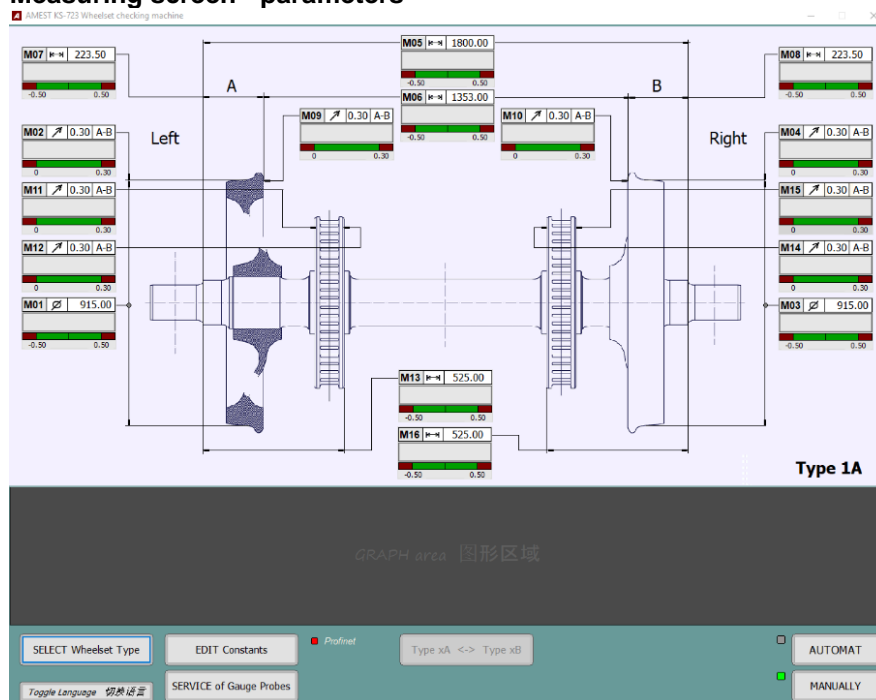
The station consists of the following parts:

- 1x measuring support (4x linear motors)
- 4x measuring supports (1 linear motor each)
- 4x support columns under the measuring support
- 4x DMH – Amest dynamic measuring head
- 1x lifting device of the measuring frame
- 1x lifting device for automatic lifting of the etalon
- 1x etalon
- 1x entry rail yard
- 1x exit rail yard
- 1x central rail yard with a system of wheel set catching and rolling
- 2x clamping and lifting head-stocks
- Base frame
- Protective fencing
- Column with a control panel

## Workplace layout:



## Measuring screen - parameters



## Working capacities of the machine

The range of dimensions of the components measured:

Wheel diameter: 730 - 950mm  
 Axle length: 1800 - 2800 mm

## Description of device function:

Clamping tailstocks will clamp wheelset into pins and lift wheelset always in to the same height (independently on wheelset type). Simultaneously with lifting, the wheelset is starting to rotate. Dynamic measuring units on measuring support are measuring all parameters during of wheelset rotation.

After measurement measuring units moving back into basic positions and clamping tailstocks put measured wheelset into rails - eject of the wheelset from the station by using of automatically unloading.



Belnická 736  
 CZ-252 42 Jesenice

+420 246 051 114  
 +420 272 705 754

<http://www.amest.cz>

e-mail : info@amest.cz